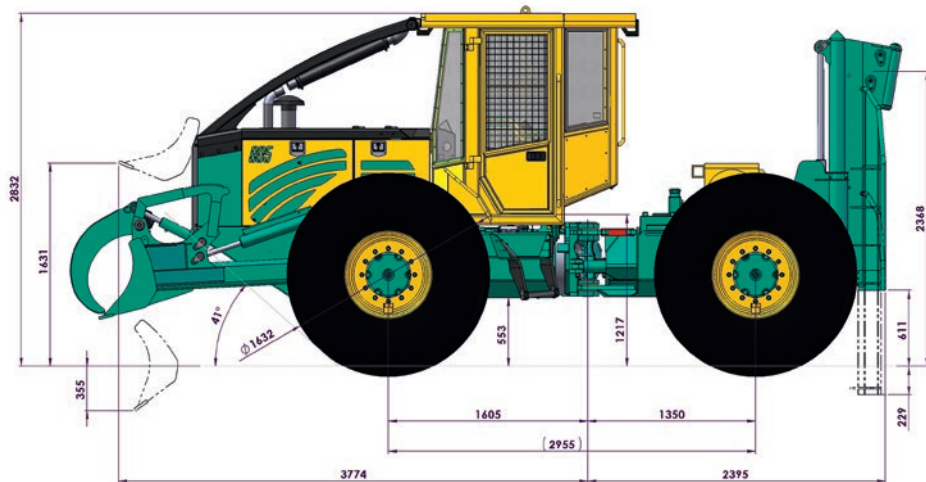


805S

**Engine:**

- DOOSAN 4-Zylinder
D34 Stage V
- Power: 101 kW (135 HP) from 2200 rpm
- Max. torque: 500 Nm at 1400 rpm
- Displacement: 3,4 liters

Transmission:

- Hydrostatic transmission, Rexroth
- 2-step NAF transfer gearbox

Axles:

- NAF heavy duty planetary axles
- 100 % selectable differential locks

Brake:

- 2-circuit brake, wet disk brakes
- Spring-loaded parking brake

Steering:

- 44° articulated steering

Tyres:

- | | Size: | min. total width |
|-----------|---------------------|--------------------|
| Series: | 23,1 x 26 | 2400 mm |
| Optional: | 18,4 x 26
28L-26 | 2200 mm
2600 mm |

Tank capacity:

- Diesel: 160 l
- Hydraulics: 90 l
- AdBlue: 25 l

Hydraulic system:

- Pump output: flow rate: 152 l/min at 1600 rpm
pressure: up to 350 bar
- Hydraulic liquid: series: HLP-46 mineral oil
optional: Panolin HLP SYNTH with Kleenoil
Microfiltration WGK 1

Cabin:

- Rubber-mounted, soundproofed
- Tested safety cab
- Mechanically suspended comfort seat
- Hot water heating

Elektrics:

- 24 V, 80 A generator
- 2 maintenance-free dry-cell batteries

Instruments:

- Tachometer with operating hour counter, coolant temperature, tank gauge, indicator lights

Winches:

- Series: Adler HY 20-O (2 x 100 kN) double-drum winch
Max. cable take-up 14 mm, 100 m
without cable equipment!
- Optional: Adler HY 24-O (2 x 120 kN) double-drum winch
Max. cable take-up 14 mm, 140 m
Adler HY 24-LO (2 x 120 kN) double-drum winch
Max. cable take-up 14 mm, 190 m
Adler HY 32-O (2 x 160 kN) double-drum winch
Max. cable take-up 14 mm, 150 m
Adler HY 32-LO (2 x 160 kN) double-drum winch
Max. cable take-up 14 mm, 190 m
TCM 16+ (2 x 160 kN) double-drum winch
Max. cable take-up 14 mm, 220 m

Weight:

- 9.300 kg (series)
- Weight distribution: Front axle: 60 %
Rear axle: 40 %

Standard equipment:

- 2200 mm wide front polder shield, lowerable straight shield
2200 mm wide, fire extinguisher, first-aid kit, warning triangle, tool set

Special equipment:

- Radio control, cable winch, wireless driving, clamping arms for front shield, steering with joystick, road lighting set