

Technical data

805

Engine:

- VOLVO PENTA
TAD581VE EU Stage V
Power: 129 kW (175 HP) at 1700 rpm
Max. revolution: 800 Nm at 1100 - 1500 rpm
Max. torque: 816 Nm at 1380 rpm
Displacement: 5,13 liters

Transmission:

- HSM High Speed Drive (71 series)
- 2-step NAF transfer gearbox

Axles:

- Planetary axles
- 100 % separately selectable differential locks, front and rear

Brake:

- 2-circuit brake, disk brake running in an oil bath
- Spring-loaded parking brake

Steering:

- Articulated steering with 2 cylinders,
45° steering angle

Tank capacity:

- Diesel: 175 l
- AdBlue: 25 l
- Hydraulic oil: 90 l

Hydraulic system:

- Load sensing
- Pump output: Flow rate: 232 litres/min at 1600 rpm
Pressure: up to 350 bar
- Hydraulic oil: Saturated synthetic ester
Panolin HLP.SYNTH with Kleenoil
Microfiltration; WGK 1

Cabin:

- HSM Panorama comfort cab (see page 12-13)
- ROPS, FOPS, OPS tested safety cab
- Swivel seat device, air-suspended comfort seat
- Heating/air-conditioning

Electrics / Instruments:

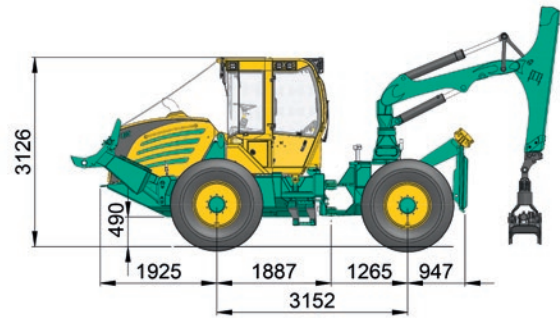
- HSM Ecomand colour-display
- 5 operator programs + factory setting
- Diagnosis-tool and error-indication
- Graphic support at parameter editing
- Generator 110 A (28 V)
- 2 service-free dry batteries á 56 Ah

Standard equipment:

- 12 LED work lamps, 24 V - 12 V voltage transformer, Radio with CD player, fire extinguisher, first-aid kit, warning triangle, tool set and much more

Special equipment:

- Tiltable front polder shield, front loader, trailer hitch, outer hydraulic connection, remote control for cable winch, wireless driving, auxiliary heating, sun blinds, seat area dampers
- Additional accessories on request



Winches:

- Series: Adler HY 16-SG (2 x 80 kN) double-drum winch
Max. cable take-up 14 mm, 100 m
- Optional: Adler HY 20-SG (2 x 100 kN) double-drum winch
Max. cable take-up 14 mm, 100 m

Weight:

- 12.600 kg (series)

Crane:

- Epsilon M80 R59 - R80
(max. range 8 m, 95 kNm lifting moment gross)
- Epsilon M90 R59 - R72
(max. range 7,2 m, 104 kNm lifting moment gross)
- Mesera F81 R51 - RT65
(max. range 6,5 m, 93 kNm lifting moment gross)
- Additional cranes on request

Tyres:

	Size:	Total width:	H:	F:
Series:	600/60-30,5	2360 mm	3190	560
Optional:	650/60-26,5	2460 mm	3160	530
	750/55-26,5	2700 mm	3160	530
	18,4-26	2220 mm	3143	513
	600/60-R28	2360 mm	3136	506

Standard equipment:

- Fixed front polder shield, 2000 mm wide
- Lowerable straight shield
- Epsilon crane M80 R59
- Torsion lock with 2 hydraulic cylinders

Special equipment:

- Hydraulically height-adjustable roller block
- Clamping workbench on height-adjustable roller block
- Straight shield with sprag brake
- „Skidder France“ version pulley
- Engine bonnet protection and brush guard made from tubing
- Additional accessories on request

Technical data

Engine (4 cylinder):

- VOLVO PENTA
 TAD581VE EU Stage V
 Power: 129 kW (175 HP) at 1700 rpm
 Max. revolution: 800 Nm at 1100 - 1500 rpm
 Max. torque: 816 Nm at 1380 rpm
 Displacement: 5,13 liters

Optional:

- VOLVO PENTA
 TAD583VE EU Stage V
 Power: 175 kW (238 HP) at 1750 rpm
 Max. revolution: 947 Nm at 1200 - 1750 rpm
 Max. torque: 969 Nm at 1380 rpm
 Displacement: 5,13 liters

Transmission:

- HSM TwinPowerDrive

Axles:

- Planetary axles
- 100 % separately selectable differential locks, front and rear

Brake:

- 2-circuit brake, disk brake running in an oil bath
- Spring-loaded parking brake

Steering:

- Articulated steering with 2 cylinders, 45° steering angle

Tank capacity:

- Diesel: 235 l
- AdBlue: 25 l
- Hydraulic oil: 100 l

Hydraulic system:

- Load sensing
- Pump output: Flow rate: 232 l/min at 1600 rpm
 Pressure: up to 350 bar
- Hydraulic oil: Saturated synthetic ester
 Panolin HLP SYNTH with Kleenoil
 Microfiltration; WGK 1

Cabin:

- HSM Panorama comfort cab
- ROPS, FOPS, OPS tested safety cab
- Swivel seat device, air-suspended comfort seat
- Heating/air-conditioning

Electrics / Instruments:

- HSM Ecommand colour-display
- 5 operator programs + factory setting
- Diagnosis-tool and error-indication
- Graphic support at parameter editing
- Generator 110 A (28 V)
- 2 service-free dry batteries á 55 Ah

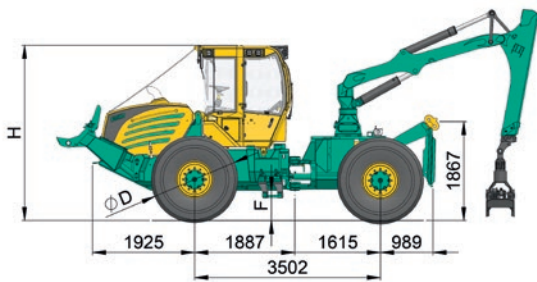
Standard equipment:

- 12 LED work lamps, 24 V - 12 V voltage transformer, radio with CD player, fire extinguisher, first-aid kit, warning triangle, tool set
- Torsion lock with 2 hydraulic cylinders and much more

Special equipment:

- Tiltable front polder shield, trailer hitch, outer hydraulic connection, remote control for cable winch, wireless driving, auxiliary heating, sun blinds, seat area dampers
- Additional accessories on request

805HD



Winches:

- Series: Adler HY 20-SG (2 x 100 kN) double-drum winch
Max. cable take-up 14 mm, 100 m
- Optional: Adler HY 24-SG (2 x 120 kN) double-drum winch
Max. cable take-up 14 mm, 130 m
Adler HY 32-SG (2 x 160 kN) double-drum winch
Max. cable take-up 14 mm, 130 m
Adler HY 32-O (2 x 160 kN) double-drum winch
Max. cable take-up 14 mm, 150 m
Adler HY 32-LO (2 x 160 kN) double-drum winch
Max. cable take-up 14 mm, 190 m

Weight:

- from 13.800 kg

Crane:

- Epsilon M80 R59 - R80
(max. range 8 m, 95 kNm lifting moment gross)
- Epsilon M90 R59 - R80
(max. range 8 m, 104 kNm lifting moment gross)
- Epsilon S110 R59 - R80
(max. range 8 m, 126 kNm lifting moment gross)
- Mesera M102 R67 - R73
(max. range 7,3 m, 130 kNm lifting moment gross)
- Additional cranes on request

Tyres:

	Size:	Total width:	H:	F:
Series:	23.1 x 26	2360 mm	3300	530
Optional:	28L-26	2600 mm	3310	536
	24.5 x 32	2430 mm	3400	630
	30.5 x 32	2730 mm	3410	640
	710/55-34	2620 mm	3330	563
	67x34-25	3000 mm	3290	525

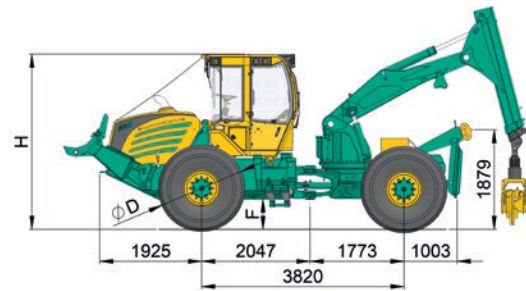
Standard equipment:

- Fixed front polder shield, 2000 mm wide
- Lowerable straight shield
- Epsilon crane M80 R59

Special equipment:

- Hydraulically height-adjustable roller block
- Clamping workbench on height-adjustable roller block
- Straight shield with sprag brake
- „Skidder France“ version pulley
- Engine bonnet protection and brush guard made from tubing
- Additional accessories on request

805HD ZL



Winches:

- Series: Adler HY 20 (2 x 100 kN) double-drum winch
Max. cable take-up 14 mm, 100 m
- Optional: Adler HY 24-O (2 x 120 kN) double-drum winch
Max. cable take-up 14 mm, 130 m
Adler HY 32-O (2 x 160 kN) double-drum winch
Max. cable take-up 14 mm, 150 m
Adler HY 32-LO (2 x 160 kN) double-drum winch
Max. cable take-up 14 mm, 190 m
TCM 16+ (2 x 160 kN) double-drum winch
Max. cable take-up 14 mm, 220 m

Weight:

- from 14.600 kg

Crane:

- Series:

Articulated arm with simple telescope:	6,1 m range
Gross lifting moment:	270 kNm
Swivel range:	210°
Pivoting moment:	80 kNm
- Optional:

HSM S3 - 7.5	7,5 m range
HSM S3 - 8.4	8,4 m range
HSM S3 - 10	10 m range

Tyres:

	Size:	Total width:	H:	F:
Series:	23.1 x 26	2360 mm	3300	530
Optional:	28L-26	2600 mm	3310	536
	24.5 x 32	2430 mm	3400	630
	30.5 x 32	2730 mm	3410	640
	710/55-34	2620 mm	3330	563
	67x34-25	3000 mm	3290	525

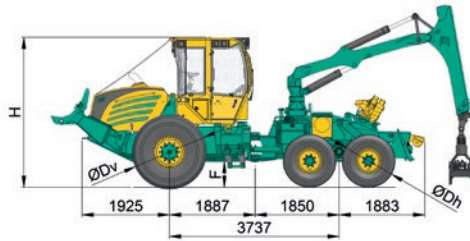
Standard equipment:

- Fixed front polder shield, 2000 mm wide
- Straight shield as sprag brake

Special equipment:

- Hydraulically height-adjustable roller block
- „Skidder France“ version pulley
- Straight shield „France“
- Engine bonnet protection and brush guard made from tubing
- Additional accessories on request

805 6WD



Winches:

- Series: Adler HY 20 (2 x 100 kN) double-drum winch
Max. cable take-up 14 mm, 100 m
- Optional: Adler HY 24 (2 x 120 kN) double-drum winch
Max. cable take-up 14 mm, 130 m

Weight:

- from 14.100 kg

Crane:

- Epsilon S120 R80
(max. range 8 m, 139 kNm lifting moment gross)
- Epsilon S120 R96
(max. range 9,6 m, 139 kNm lifting moment gross)

Tyres:

Series:	Size:	Minimum width:	H:	F:
Front:	23,1 x 26	2550 mm	3300	530
Rear:	710/40x22,5			

The minimum width changes when using belts (+100).
Other tyres on request.

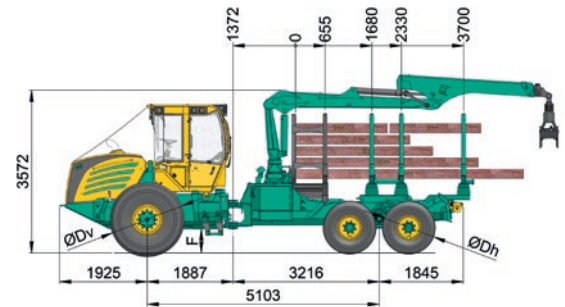
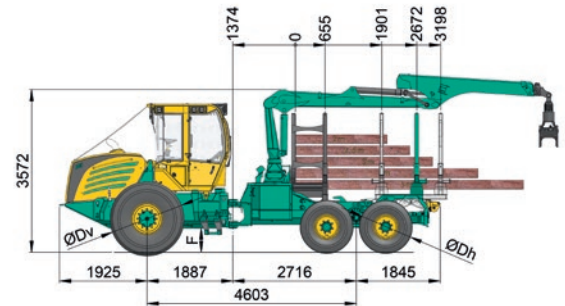
Standard equipment:

- Fixed front polder shield, 2000 mm wide
- Lowerable straight shield
- Epsilon crane S120 R80

Special equipment:

- Clamping workbench on roll supports
- Engine bonnet protection and brush guard made from tubing
- Bogie lift at the rear
- Additional accessories on request

805F Kombi short/long



Winches:

- Series: Adler HY 16-SG (2 x 80 kN) double-drum winch
Max. cable take-up 14 mm, 100 m
- Optional: Adler HY 20-SG (2 x 100 kN) double-drum winch
Max. cable take-up 14 mm, 100 m

Weight:

- from 14.600 kg / 14.800 kg

Payload:

- 9 t

Crane:

- Epsilon Kran M70 F80 (series)
- For further cranes see crane brochure

Tyres:

Series:	Size:	Minimum width:	H:	F:
Front:	23,1 x 26	2550 mm	3540	530
Rear:	710/40x22,5			
Optional:	28L-26	2600 mm		
	620/75-26	2400 mm		
	600/65-34	2360 mm		
	710/55-34	2620 mm		
	67x34-25	3000 mm		

The minimum width changes when using belts (+100).
Other tyres on request.

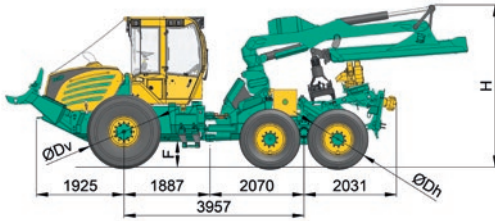
Standard equipment:

- Headboard grid and first stanchion removable
- Last stanchion can be removed and adjusted to
(short) 1,9 m, 2,7 m and 3,2 m
(long) 2,4 m, 3,1 m and 3,7 m
- Height-adjustable roller block
- reversing camera with color monitor
- rear headlights

Special equipment:

- Front polder shield
- Straight shield
- Clamping workbench with quick-change plate
- Rotating stanchion
- Kombi long: Twin stanchions as 2nd and 3rd stanchion
on quick-change plate
- Additional accessories on request

805HD 6WD



Winches:

- Series: Adler HY 20 (2 x 100 kN) double-drum winch
Max. cable take-up 14 mm, 100 m
- Optional: Adler HY 24 (2 x 120 kN) double-drum winch
Max. cable take-up 14 mm, 130 m
Adler HY 32 (2 x 160 kN) double-drum winch
Max. cable take-up 14 mm, 150 m

Weight:

- from 15.300 kg

Crane:

- Series: Tilttable Epsilon X150 R80
(max. range 8 m, 170 kNm gross lifting moment)
- Optional: Epsilon X150 R104 tiltbar
(max. range 10,4 m, 170 kNm gross lifting moment)

Tyres:

- | Series: | Size: | Minimum width: | H: | F: |
|---------|-------------|----------------|------|-----|
| Front: | 23,1 x 26 | 2550 mm | 3595 | 530 |
| Rear: | 710/45x26,5 | | | |

The minimum width changes when using belts (+100).
Other tyres on request.

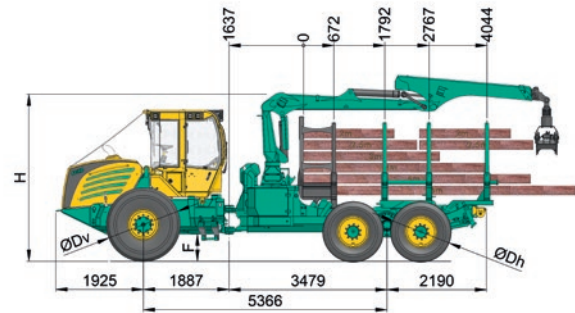
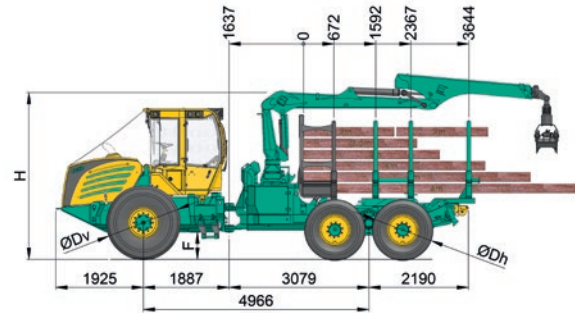
Standard equipment:

- Fixed front polder shield, 2000 mm wide
- Straight shield as sprag brake

Special equipment:

- Clamping workbench on height-adjustable roller block
- „Skidder France“ version pulley
- Engine bonnet protection and brush guard made from tubing
- Bogie lift back
- Additional accessories on request

805HDF Kombi short/long



Winches:

- Series: Adler HY 20-SG (2 x 100 kN) double-drum winch
Max. cable take-up 14 mm, 100 m
- Optional: Adler HY 24-SG (2 x 120 kN) double-drum winch
Max. cable take-up 14 mm, 130 m
Adler HY 32-SG (2 x 160 kN) double-drum winch
Max. cable take-up 14 mm, 130 m

Weight:

- from 15.300 kg / 15.500 kg

Payload:

- 11 t

Crane:

- Epsilon M70 F80 (series)
- For further cranes see crane brochure

Tyres:

- | Series: | Size: | Minimum width: | H: | F: |
|---------|-------------|----------------|------|-----|
| Front: | 23,1 x 26 | 2550 mm | 3670 | 530 |
| Rear: | 710/45x26,5 | | | |

The minimum width changes when using belts (+100).
Other tyres on request.

Standard equipment:

- Headboard grid and first stanchion removable
- Last stanchion can be removed and adjusted to

(short)	2,4 m, 3,2 m and 3,8 m
(long)	2,8 m, 3,6 m and 4,2 m
- Height-adjustable roller block
- Reversing camera with color monitor
- Rear headlights

Special equipment:

- Front polder shield
- Straight shield
- Clamping workbench with quick-change plate
- Twin stanchions as 2nd and 3rd stanchion on quick-change plate
- Rotating stanchion
- Bogie lift at the rear
- Additional accessories on request

805H1

Engine (4 cylinder):

- VOLVO PENTA
TAD583VE EU Stage V
Power: 175 kW (238 HP) from 1750 rpm
Max. revolution: 947 Nm from 1200 - 1750 rpm
Max. torque: 969 Nm at 1380 rpm
Displacement: 5,13 liters

Transmission:

- HSM TwinPowerDrive

Axles:

- Planetary axles
- 100 % separately selectable differential locks, front and rear

Brake:

- 2-circuit brake, disk brake running in an oil bath
- Spring-loaded parking brake

Steering:

- Articulated steering with 2 cylinders, 45° steering angle

Tank capacity:

- Diesel: 235 l
- AdBlue: 25 l
- Hydraulic oil: 100 l

Hydraulic system:

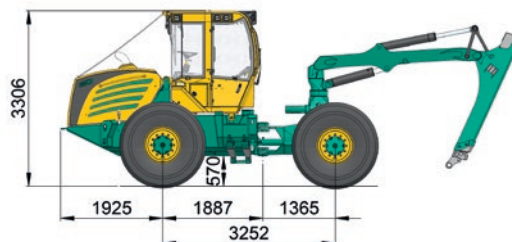
- Load sensing
- Pump output: Flow rate: 304 l/min at 1600 rpm
Pressure: up to 350 bar
- Pump output: Saturated synthetic ester
Panolin HLP SYNTH with Kleenoil
Microfiltration; WGK 1

Cabin:

- HSM Panorama comfort cab
- ROPS, FOPS, OPS tested safety cab
- Swivel seat device, air-suspended comfort seat
- Heating/air-conditioning

Electrics / Instruments:

- HSM Ecomand colour-display
- 5 operator programs + factory setting
- Diagnosis-tool and error-indication
- Graphic support at parameter editing
- Generator 110 A (28 V)
- 2 service-free dry batteries à 55 Ah



Standard equipment:

- 12 LED work lamps, 24 V - 12 V voltage transformer, Radio with CD player, fire extinguisher, first-aid kit, warning triangle, tool set
- Torsion lock with 2 hydraulic cylinders and much more

Special equipment:

- Auxiliary heating, seat area dampers, vacuum pump, Diesel filling pump
- Other accessories on request

Crane:

- Epsilon S110 R80
- Tiltable +15° / -15°(optional)
- Range: 8 m
- Gross lifting moment: 126 kNm
- Swivel moment net: 33 kNm

Aggregate:

- Waratah H423
Felling diameter: 580 mm
Delimiting diameter: 420 mm
Weight: 955 kg
- Other aggregates on request
- Timberrite H16 High Level

Tyres:

	Size:	Minimum width:	H:	F:
Series:	23,1 x 26	2360 mm	3300	530
Optional:	28L-26	2600 mm	3310	536
	24.5 x 32	2430 mm	3400	630
	30.5 x 32	2730 mm	3410	640
	710/55-34	2620 mm	3330	563
	67 x 34-25	3000 mm	3290	525

Weight:

- 13.200 kg

805H1 6WD

Engine (4 cylinder):

- VOLVO PENTA
TAD583VE EU Stage V
Power: 175 kW (238 HP) from 1750 rpm
Max. revolution: 947 Nm from 1200 - 1750 rpm
Max. torque: 969 Nm at 1380 rpm
Displacement: 5,13 liters

Transmission:

- HSM TwinPowerDrive

Axles:

- Planetary axles
- 100 % separately selectable differential locks, front and rear

Brake:

- 2-circuit brake, disk brake running in an oil bath
- Spring-loaded parking brake

Steering:

- Articulated steering with 2 cylinders, 45° steering angle

Tank capacity:

- Diesel: 235 l
- AdBlue: 25 l
- Hydraulic oil: 100 l

Hydraulic system:

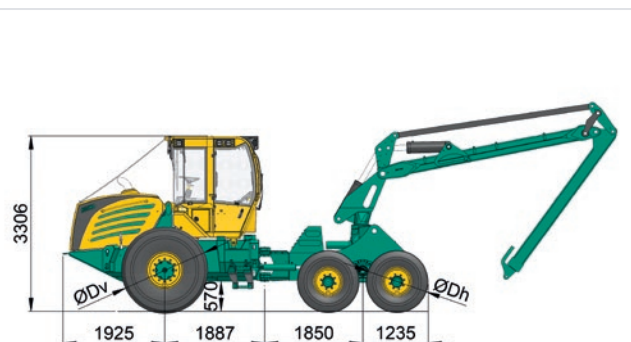
- Load sensing
- Pump output:: Flow rate: 304 l/min at 1600 rpm
Pressure: up to 350 bar
- Pump output: Saturated synthetic ester
Panolin HLP SYNTH mit Kleenoil
Microfiltration; WGK 1

Cabin:

- HSM Panorama comfort cab
- ROPS, FOPS, OPS tested safety cab
- Swivel seat device, air-suspended comfort seat
- Heating/air-conditioning

Electrics / Instruments:

- HSM Ecomand colour-display
- 5 operator programs + factory setting
- Diagnosis-tool and error-indication
- Graphic support at parameter editing
- Generator 110 A (28 V)
- 2 service-free dry batteries á 55 Ah



Standard equipment:

- 12 LED work lamps, 24 V - 12 V voltage transformer, Radio with CD player, fire extinguisher, first-aid kit, warning triangle, tool set
- Torsion lock with 2 hydraulic cylinders and much more

Special equipment:

- Auxiliary heating, seat area dampers, vacuum pump, Diesel filling pump
- Other accessories on request

Crane:

- Mesera L 181 V 100
- Tilttable +15° / -15°
- Range: 10 m
- Gross lifting moment: 138 kNm
- Swivel moment net: 38,4 kNm

Aggregate:

- Waratah H423
Felling diameter: 580 mm
Delimiting diameter: 420 mm
Weight: 955 kg
- Other aggregates on request
- Timberrite H16 High Level

Tyres:

- | Series: | Size: | Minimum width: | H: | F: |
|---------|---------------|----------------|------|-----|
| front: | 23,1 x 26 | 2550 mm | 3300 | 536 |
| rear: | 710/40 x 22,5 | | | |

Weight:

- 15.000 kg