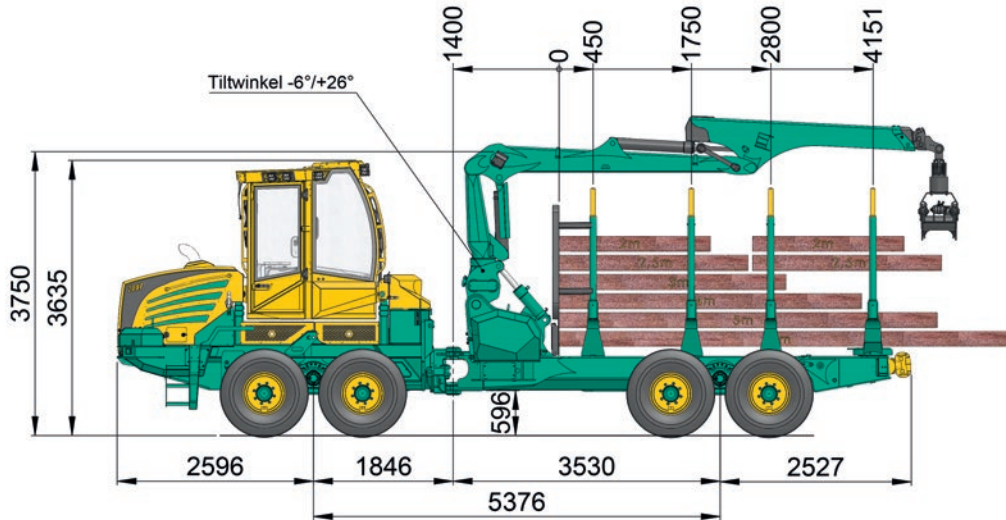
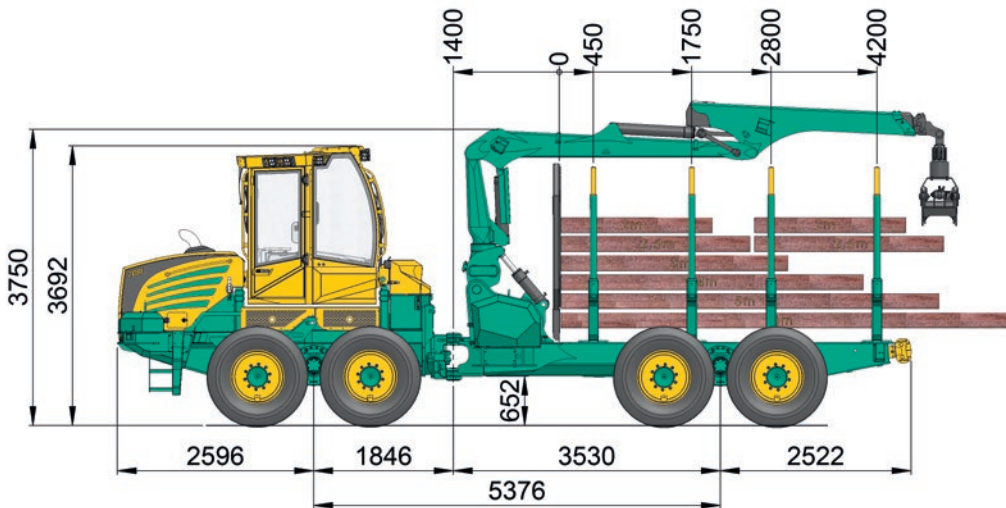


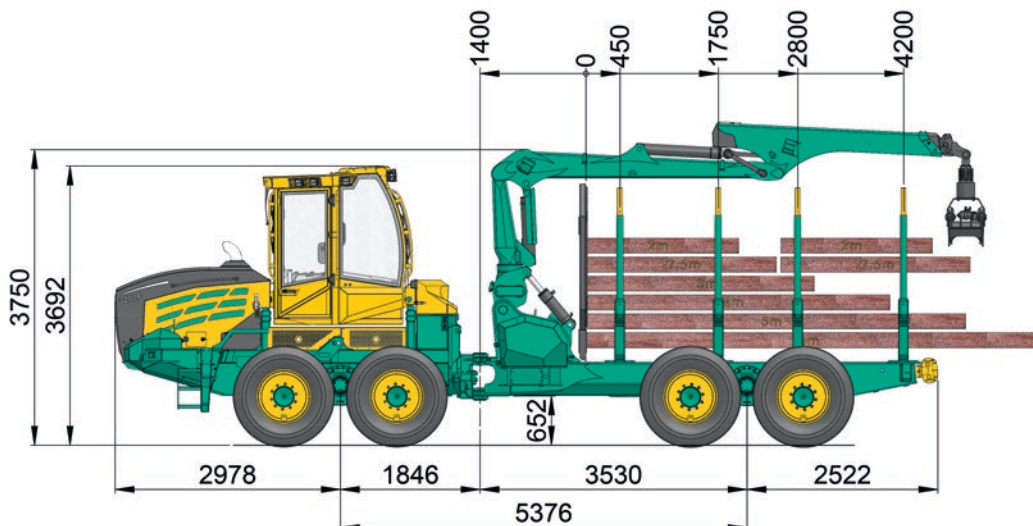
208F 9 t with HSW9 auxiliary traction winch and cranetilt



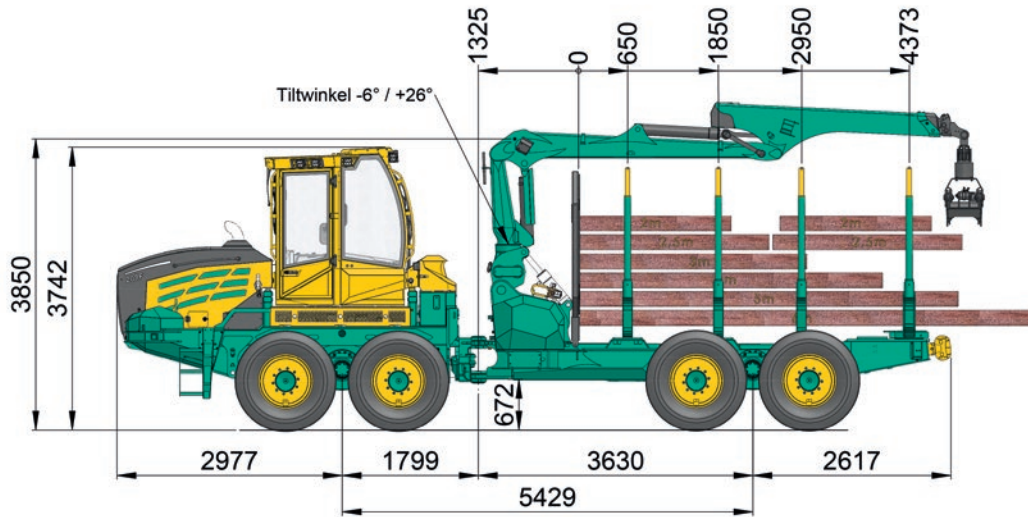
208F 10 t with HSW9 auxiliary traction winch and cranetilt



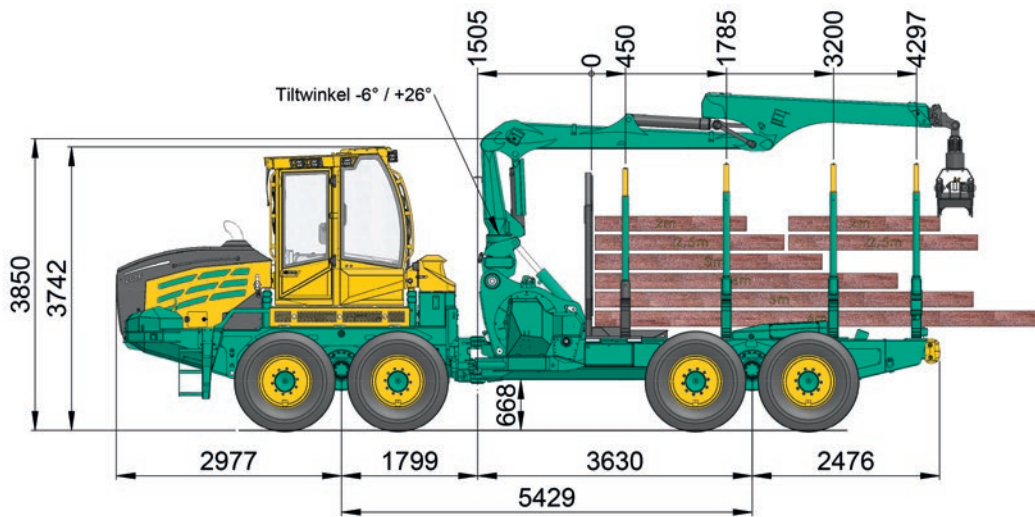
208F 11 t with HSW9 auxiliary traction winch and cranetilt



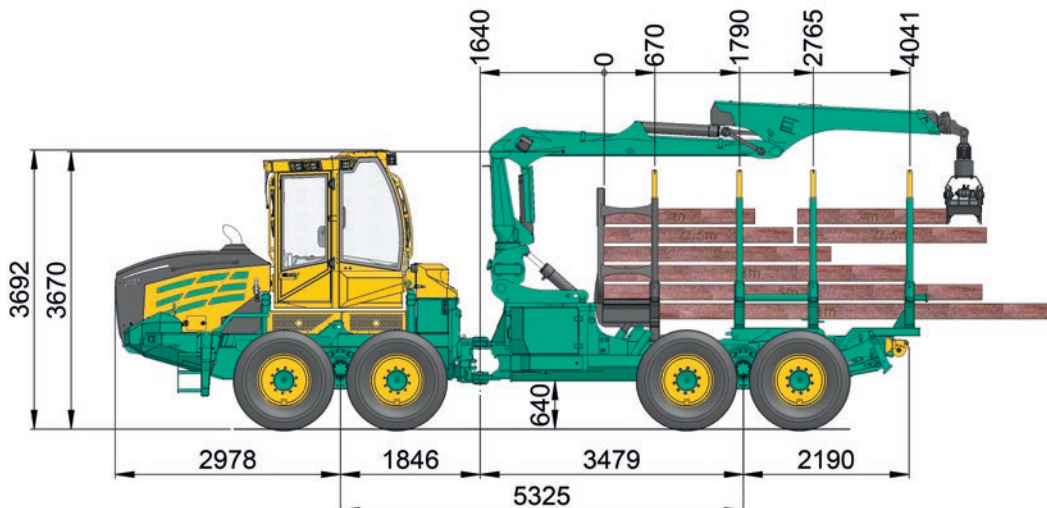
208F 14 t with HSW9 auxiliary traction winch and cranetilt



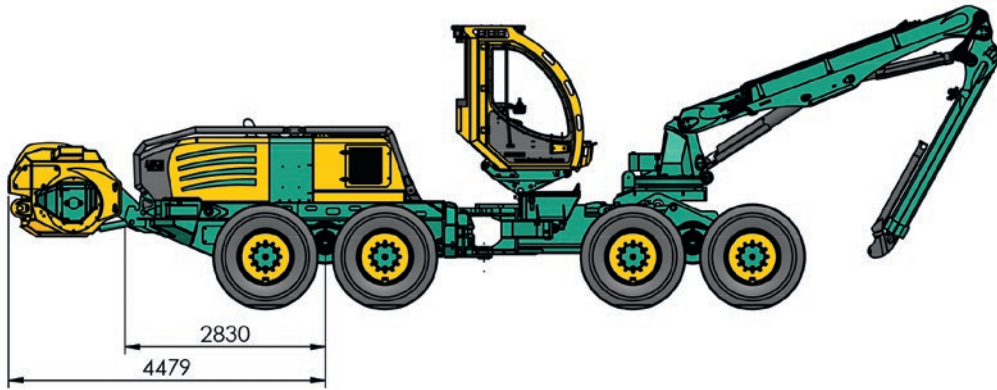
208F 14 t with HSW15 auxiliary traction winch and cranetilt



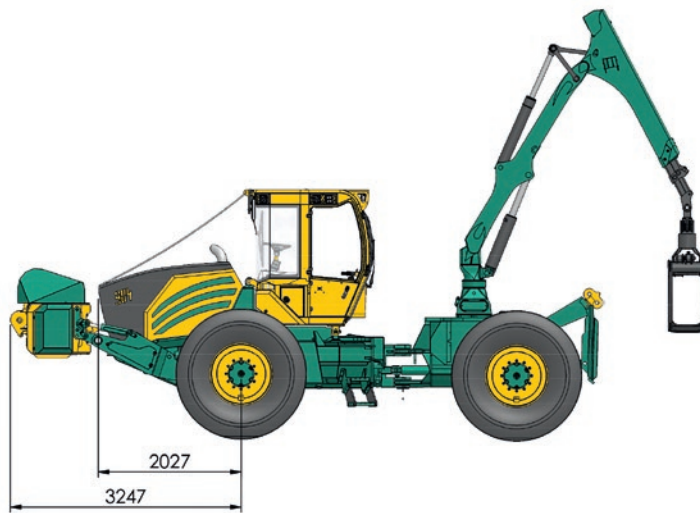
208F 11 t Kombi long with HY 32 L-SG-SP and cranetilt



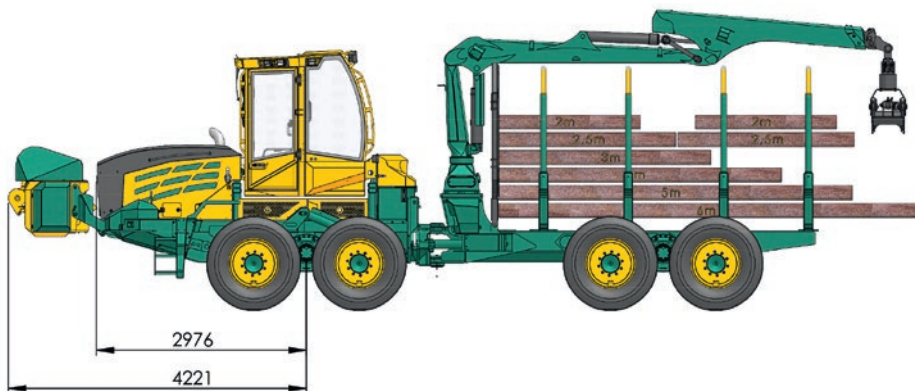
HSW15B auxiliary traction winch attached to 405H



HSW7 auxiliary traction winch attached to 904



HSW7 auxiliary traction winch attached to 208F



HSW7

- Tractive force lower layer: 70 kN
- Tractive force upper layer: 63 kN
- Stepless tension adjustment via potentiometer
- Rope capacity: for rope \varnothing 14 mm: 285 m
- Weight without rope: 1.000 kg
- Radio remote control: HBC-Patrol-S, Typ-511
- Integrated rope spooling
- Integrated camera and lighting
- Housing with mount for HSM quick release system or adaptable for other manufacturers
- Pressure transfer for winch control via screw couplings, quick-change including electrical transfer plug

HSW9

- Tractive force lower layer: 80 kN
- Tractive force upper layer: 45 kN
- Stepless tension adjustment via potentiometer
- Rope capacity: for rope \varnothing 14 mm: 240 m
- Radio remote control: HBC-Patrol-S, Typ-511
- Integrated rope spooling
- Integrated camera and lighting

HSW15 / HSW15B

- Tractive force constant: 120 kN
- Stepless tension adjustment via potentiometer
- Rope capacity: for rope \varnothing 16 mm: 450 m
- Weight without rope: 1.850 kg
- Radio remote control: HBC-Patrol-S, Typ-511
- Integrated rope spooling
- 2 Cameras and lighting integrated
- Housing with mount for HSM quick release system or adaptable for other manufacturers
- Pressure transfer for winch control via screw couplings, quick-change including electrical transfer plug

HY 32 L-SG-SP

- Tractive force constant: 70 kN
- Stepless tension adjustment via potentiometer
- Rope capacity: for rope \varnothing 14 mm: 240 m
- Radio remote control: HBC-Patrol-S, Typ-511
- Integrated rope spooling
- Integrated camera and lighting
- Second rope drum for logging:
 - Tractive force lower layer: 160 kN
 - Tractive force upper layer: 64 kN
 - Rope capacity: for rope \varnothing 18 mm: 70 m